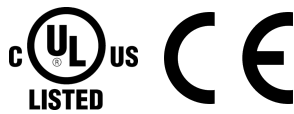
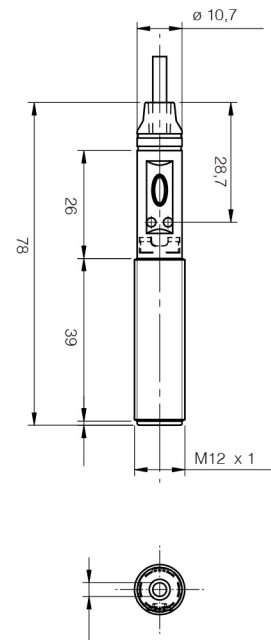




Indicative image



M12 CYLINDRICAL CAPACITIVE SENSORS



Detection properties

Nominal sensing distance	0,5...4mm shielded; 0,5...8mm unshielded
Thermal drift of Sr	< 20%
Repeat Accuracy	5%
Sensitivity adjustment	Yes
Hysteresis	≤ 20%

Outputs

Output type	NPN/PNP
Output Function	NO/NC
Switching frequency	≤15Hz

Electrical data

Operating Voltage	10...40Vdc
No-Load supply current	≤ 12mA
Load current	≤ 200mA
Leakage current	≤ 300μA
Output voltage drop	≤ 2,5V @ IL = 200mA
Max ripple content	≤10%
LED indicators	Yellow LED (object detected), green LED power supply/stability
Time delay before availability	≤ 200ms

Short-circuit protection	polarity reversal, overvoltage
Reverse Polarity Protection	Yes
Impulsive Overvoltage Protection	Yes

Mechanical data

Mounting	Shielded/Unshielded
Dimensions	M12 x 1 / L = 78mm
Weight	110g
Housing Material	Polyester
Connections	2m PVC cable
Active Head Material	Polyester
Operating temperature	-35°C...+85°C (without freeze)
Storage temperature	-40°C...+85°C
Diameter/Dimension	M12

Test/Approvals

Approvals	CE cULus
EMC compatibility	IEC 60947-5-2
Shocks and vibrations	Vibration IEC 60068-2-6 / Shock IEC 60068-2-27
Degree of protection	IP67

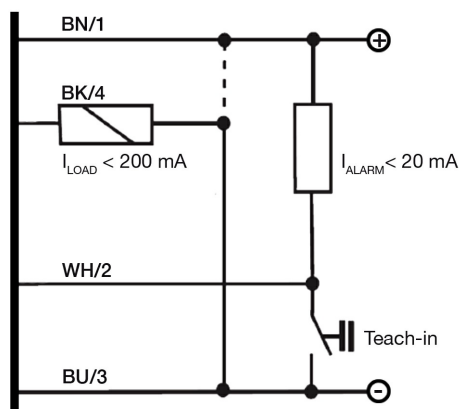
Accessories

Supplied Accessories	2 x M12 nuts
----------------------	--------------

Generical Data

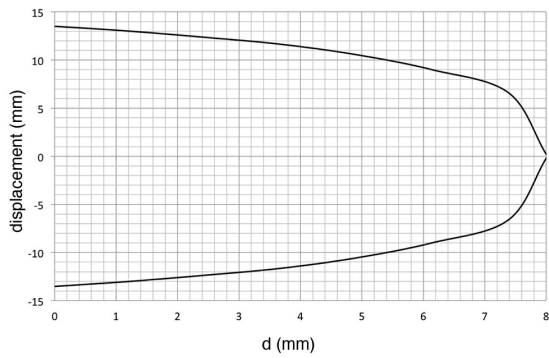
Dimensions	M12 x 1 / L = 78mm
Operating Temperature	-35°C...+85°C (without freeze)
Mechanical Protection	IP67

ELECTRICAL DIAGRAMS OF THE CONNECTIONS

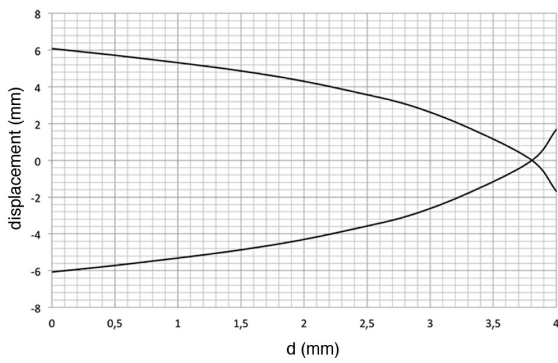


RESPONSE CURVES

Non schermato



Schermato



Datasensing S.r.l.

Strada S. Caterina, 235
41122 Modena (MO)
Tel. 059 420411
Fax 059 253973
E-mail info@datasensing.com

date of printing

02/11/2022 13:41:03