



The product is installed in these energy transmission lines:

TR60 continuous

INSTRUCTION
MANUALS

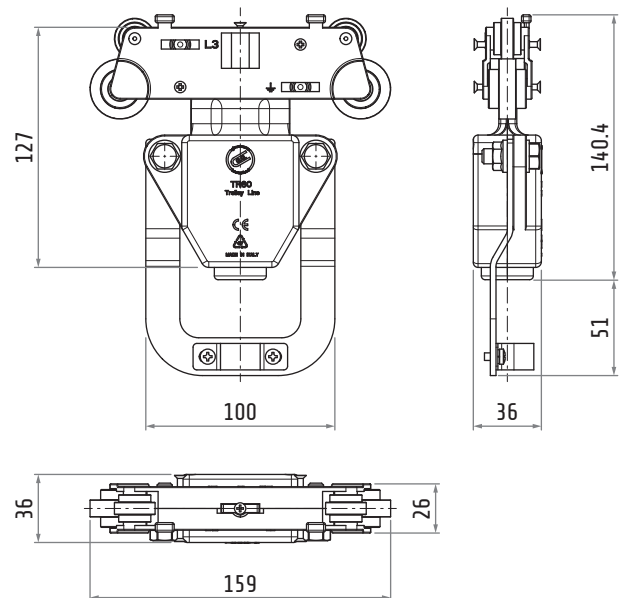
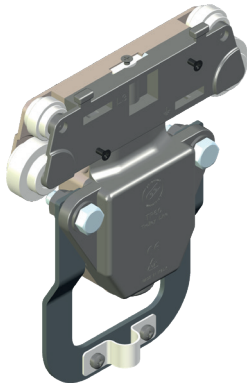


Please find the relevant reference guides on our instruction manuals page:

<https://www.giovenzana.com/leaflets/>

TR6011

CONDUCTOR INSERTION TROLLEY



Material	body	nylon and galvanized steel
	hardware	galvanized steel
Weight	~350 g	

Dimensions in mm / illustrations NOT in scale