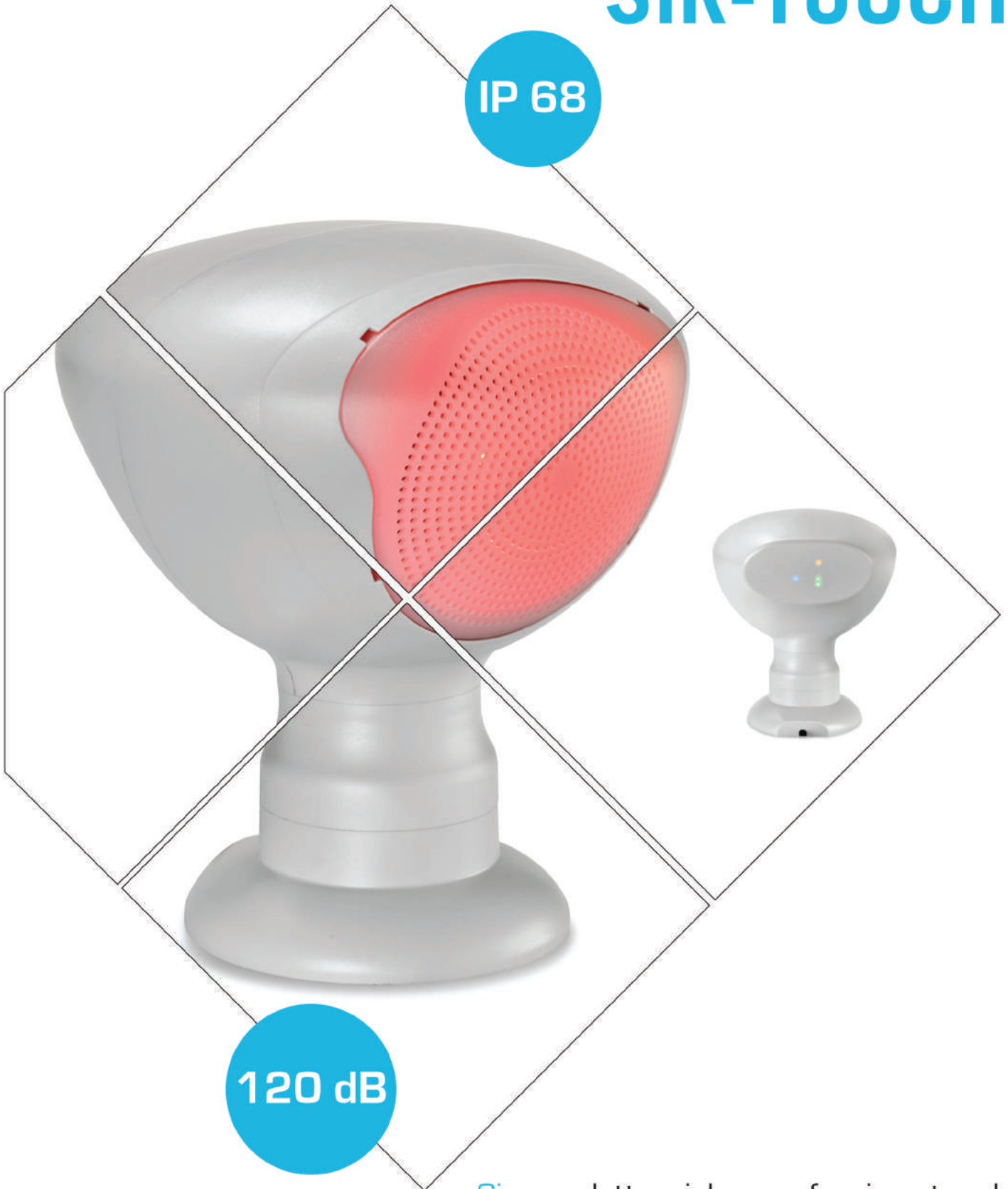


# SIRENA

## SIR-TOUCH

IP 68



120 dB

Sirene elettroniche con funzione touch  
Electronic sirens with touch programming  
Sirènes électroniques avec programmation tactile

## SIR-TOUCH

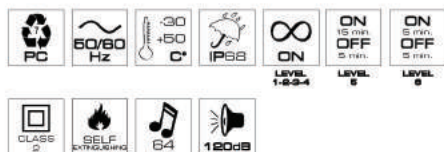


SIR-TOUCH

SIR-TOUCH LED



Corpo / Body / Corps



### SIR-TOUCH SIR-TOUCH LED

V DC	24	-
V AC	-	85/265
A	1,65	0,17

### Codici / Codes

#### SIR-TOUCH

24V ACDC 90750  
85/265V AC 90751

#### SIR-TOUCH LED

24V ACDC 90752  
85/265V AC 90753

#### ACCESSORI/ACCESSORIES/ACCESSOIRES

WALL BRACKET 90754  
SE12 ADAPTER BRACKET 90755  
SEP ADAPTER BRACKET 90756  
SE25 ADAPTER BRACKET 90757  
3M PATCH CORD M12 90758

Design e innovazione con la nuova sirena elettronica **SIR-TOUCH**: l'armonia delle forme, le funzionalità TOUCH e l'elevato grado di protezione (IP68) e la potenza sonora (120 dB) rendono questa sirena unica nel panorama della segnalazione acustica industriale. La sirena è inoltre disponibile in versione con luce frontale lampeggiante di colore rosso: **SIR-TOUCH LED**.

### Tensione operativa

24V DC, 85/265V AC (Wide Range 50/60Hz) +/- 15%

### Caratteristiche meccaniche

Corpo e griglia in policarbonato autoestinguento ad alta resistenza agli impatti, adatto per un utilizzo esterno grazie al grado di protezione IP68, garantito dalle guarnizioni di tenuta in poliuretano.

Fissaggio tramite viteria standard non fornita.

Connessione elettrica tramite connettore M12 4PIN.

### Caratteristiche acustiche

Unità magnetica al Neodimio 4Ω. Multisuono: 64 suoni selezionabili e regolazione del volume (6 livelli) tramite procedura semplice e sicura in modalità TOUCH.

### Caratteristiche luminose

SIR-TOUCH LED: luce frontale lampeggiante di colore rosso, prodotta da un unico LED ad elevata luminosità.



Design and innovation with the new electronic siren **SIR-TOUCH**: the harmonious shape, touch operation, protection level (IP68) and powerful sound output (120 dB) make it unique in the industrial acoustic signaling scenario. Version with red front flashing light also available: **SIR-TOUCH LED**.



Design et innovation définissent la nouvelle sirène électronique **SIR-TOUCH**: l'harmonie de ses formes, TOUCH, son indice de protection élevé (IP68) et sa puissance sonore (120 dB) rendent ce dispositif unique sur le marché de la signalisation industrielle. Disponible avec un signal lumineux frontal clignotant de couleur rouge: **SIR-TOUCH LED**.

### Voltages

24V DC, 85/265V AC (Wide Range 50/60Hz) +/- 15%

### Mechanical features

Self-extinguishing polycarbonate body and grid with high impact resistance, suitable for outdoor use thanks to the IP68 protection grade, assured by the polyurethane gasket. Screw mounting (screws not included).

Electrical connection through M12 4PIN connector.

### Acoustic features

4Ω Neodymium magnetic unit. Multitone: 64 selectable tones and adjustable volume (6 levels) through an easy and safe TOUCH procedure.

### Optical features

**SIR-TOUCH LED**: red front flashing light produced by one bright LED.

### Tension d'utilisation

24V DC, 85/265V AC (Wide Range 50/60Hz) +/- 15%

### Caractéristique mécanique

Corps et grille en polycarbonate autoextinguible à haute résistance aux chocs, indice de protection adapté pour une utilisation à l'extérieur (IP68), garanti par des joints en polyuréthane.

Fixation par vis standards non fournies. Connexion électrique via connecteur M12 4 broches.

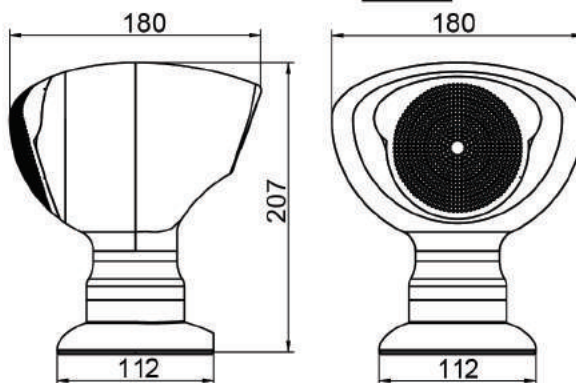
### Caractéristiques acoustiques

Unité magnétique au Néodyme de 4Ω. Multi sons: 64 tonalités sélectionnables et réglage du volume (6 niveaux) simple et sécurisé via touches tactiles.

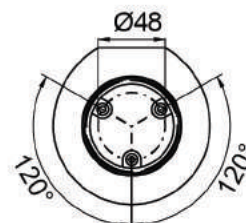
### Caractéristiques lumineuses

**SIR-TOUCH LED**: lumière frontale rouge clignotante, émise par une LED unique à la haute luminosité.

### Certificazioni / Certifications



### SIR-TOUCH SIR-TOUCH LED



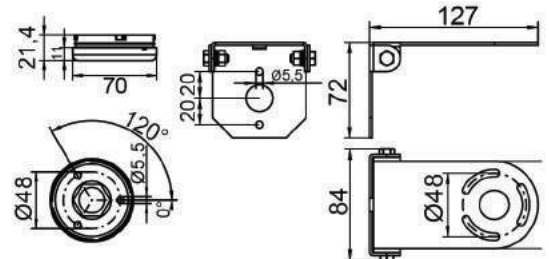
## SIR-TOUCH

ACCESSORI / ACCESSORIES / ACCESSOIRES



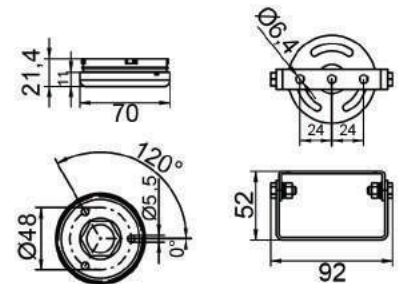
**SIR-TOUCH WALL BRACKET  
90754**

**STAFFA A PARETE  
WALL BRACKET  
BRIDE POUR FIXATION  
EN APPLIQUE**



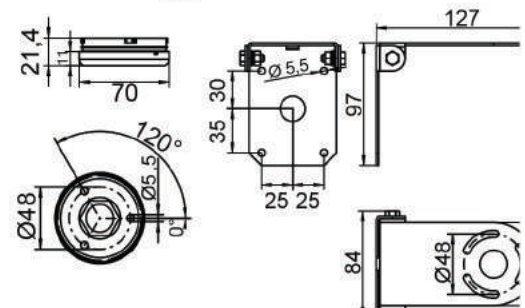
**SIR-TOUCH SE12 ADAPTER  
BRACKET 90755**

**ADATTATORE SE12  
SE12 ADAPTER  
ADAPTATEUR SE 12**



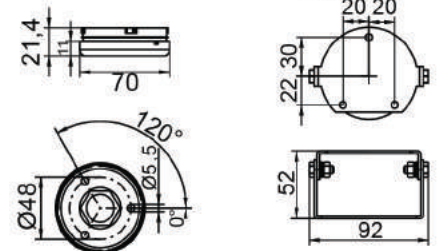
**SIR-TOUCH SEP ADAPTER  
BRACKET 90756**

**ADATTATORE SEP  
SEP ADAPTER  
ADAPTATEUR SEP**



**SIR-TOUCH SE25 ADAPTER  
BRACKET 90757**

**ADATTATORE SE25  
SE25 ADAPTER  
ADAPTATEUR SE25**



**SIR-TOUCH 3M PATCH CORD  
M12 90758**

**CAVO M12 3m  
M12 3mt CABLE  
CABLE M12 3m**



#morethanbrightideas

[sirena.it](http://sirena.it)

[facebook.com/sirenaspa](https://facebook.com/sirenaspa)

[twitter.com/sirenaspa](https://twitter.com/sirenaspa)

[plus.google.com/+sirenaspa](https://plus.google.com/+sirenaspa)

[linkedin.com/company/sirena-spa](https://linkedin.com/company/sirena-spa)

[youtube.com/sirenait](https://youtube.com/sirenait)

[instagram.com/sirenaspa74](https://instagram.com/sirenaspa74)



MADE  
IN ITALY

**SIRENA**

Sirena SpA  
C.so Moncenisio, 5  
10090 Rosta (TO)  
Italy

T +39 011 95 68 555  
F +39 011 95 67 928  
[www.sirena.it](http://www.sirena.it)  
[info@sirena.it](mailto:info@sirena.it)

Sirena SpA can modify this catalogue at any time without prior notice. No parts of this catalogue, including text, images and logos, may be reproduced, partially reproduced or forwarded via electronic means without prior writer authorization of Sirena SpA.

All data reproduced in this catalogue have been edited and checked with the best possible accuracy, however Sirena SpA does not accept any liability for errors and omissions in drawings, descriptions or technical data in this catalogue.



8 010152 011030

SIR-TOUCH  
V1.0  
01.2019  
Printed in Italy