





LED element, Flat Rear, red/green, front mounting

Part no. **M22-FLED-RG**
 Catalog No. **180799**
 Eaton Catalog No. **M22-FLED-RG**
 EL-Nummer **4315750**
 (Norway)

Delivery program

Basic function accessories			LED elements
Description			Cage Clamp is a registered trademark of Wago Kontakttechnik GmbH/Minden, Germany
Connection technique			Cage Clamp
Fixing			Front fixing
Rated operational voltage	U_e	V	24 V DC
Rated operational current	I_e	mA	10 - 15
Power consumption	$P_{max.}$	W	0.36
Lifespan to EN 60064 at $t_a = +25\text{ °C}$	t_{mean} (AC)	h	100000
Degree of Protection			IP20
			at 24 V
Colour			Red/green
			
Connection to SmartWire-DT			no
Approval			
Connection technique			Cage Clamp

Notes

For indicator lights, illuminated pushbutton actuators, and illuminated selector switch actuators, the following applies: Only in combination with M22-...-W

Terminal diagram:

	Colors	Pin	X1	X2	X3	X4
M22-FLED-RG	red	X1 +R	x	+G	+B	GND
	green			x		x
	yellow	x		x		x
M22-FLED-RGB	red	x				x
	green			x		x
	yellow	x		x		x
	White	x		x	x	x
	blue				x	x
	Violet	x			x	x
	Turquoise		x		x	x

Technical data

General		
Standards		IEC 60947-5-1
Degree of Protection		IP20

Climatic proofing			Damp heat, constant, to IEC 60068-2-78 Damp heat, cyclic, to IEC 60068-2-30 Dry heat to IEC 60068-2-2
Ambient temperature			
Open		°C	-25 - +70
Storage		°C	- 40 - + 85
Mounting position			As required
Mechanical shock resistance according to IEC 60068-2-27 Shock duration 11 ms, half-sinusoidal		g	> 50
Terminal capacities		mm ²	
Solid		mm ²	1 x 1 (0.2 - 1.5) 1 x 1 (075 - 1.5) Can be plugged without tools
Stranded		mm ²	1 x 1 (0.2 - 1.5)
Flexible with ferrule		mm ²	1 x 1 (0.25 - 1) Use WAGO Variocrimp 4 crimping tool; please enquire for others
Solid or stranded		AWG	20

Contacts

Rated impulse withstand voltage	U _{imp}	V AC	4000
Rated insulation voltage	U _i	V	250
Overtoltage category/pollution degree			III/3
Indoor and protected outdoor installation			

Design verification as per IEC/EN 61439

Technical data for design verification			
Operating ambient temperature min.		°C	-25
Operating ambient temperature max.		°C	70

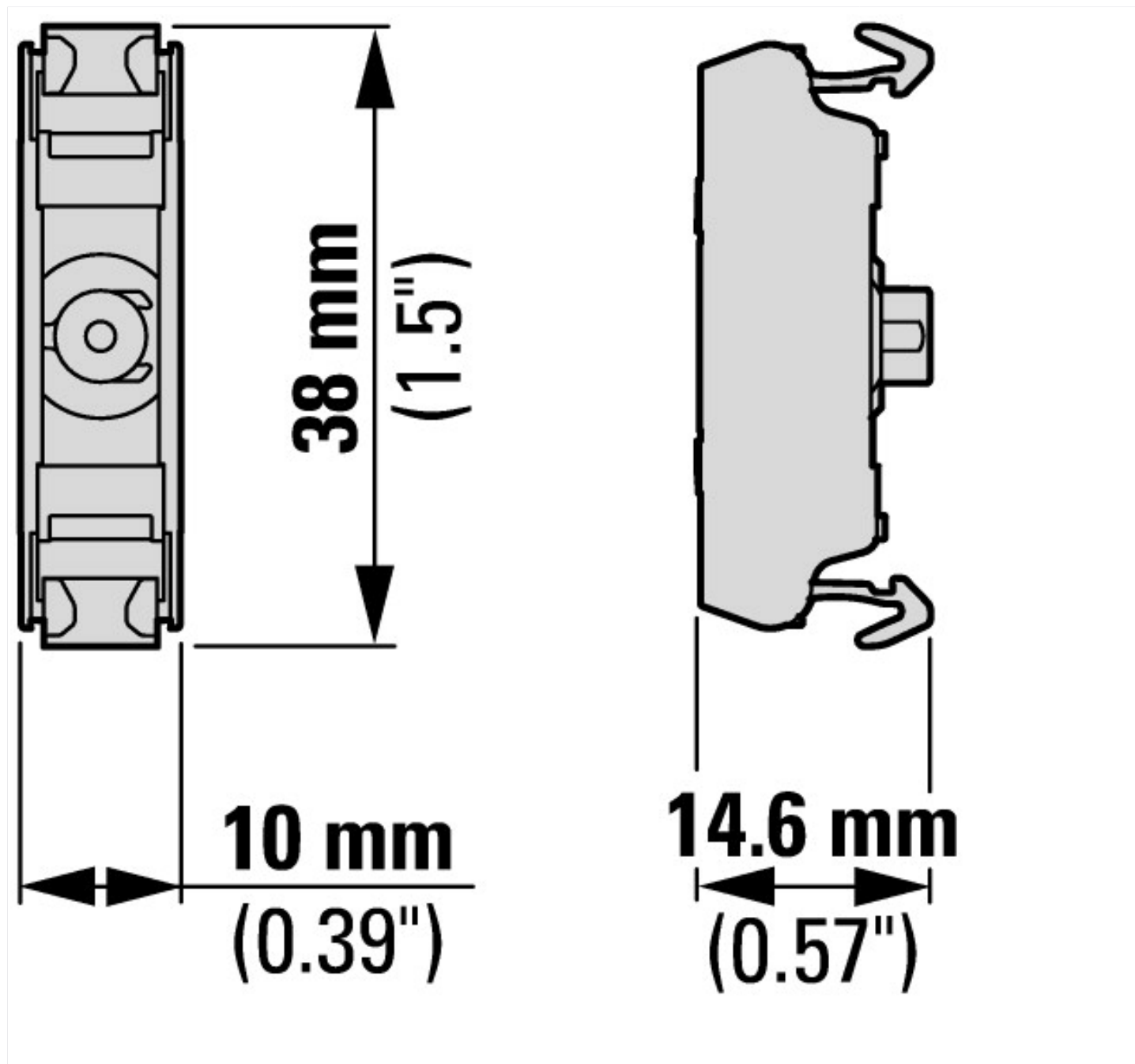
Technical data ETIM 7.0

Low-voltage industrial components (EG000017) / Lamp holder block for control circuit devices (EC000204)			
Electric engineering, automation, process control engineering / Low-voltage switch technology / Command and alarm device / Bulb socket block for command and alarm devices (ec1@ss10.0.1-27-37-12-09 [AKF027014])			
Transformer integrated			No
With integrated voltage decreasing resistor			No
With light source			Yes
With integrated diode			Yes
Lamp holder			None
Rated voltage U _e at AC 50 Hz		V	0 - 0
Rated voltage U _e at AC 60 Hz		V	0 - 0
Rated voltage U _e at DC		V	24 - 24
Voltage type for actuating			DC
Voltage type for actuating			DC
Lamp type			LED
Connection type auxiliary circuit			Spring clamp connection
Colour lamp			Other
Type of fastening			Front fastening

Approvals

Product Standards			IEC/EN 60947-5; UL 508; CSA-C22.2 No. 14-05; CSA-C22.2 No. 94-91; CE marking
UL File No.			E29184
UL Category Control No.			NKCR
CSA File No.			012528
CSA Class No.			3211-03
North America Certification			UL listed, CSA certified
Degree of Protection			UL/CSA Type: -

Dimensions



Additional product information (links)

IL04716002Z (AWA1160-1745) RMQ-Titan System

IL04716002Z (AWA1160-1745) RMQ-Titan System

ftp://ftp.moeller.net/DOCUMENTATION/AWA_INSTRUCTIONS/IL04716002Z2018_10.pdf